

SOUND BALANCE ACOUSTIC CURVE

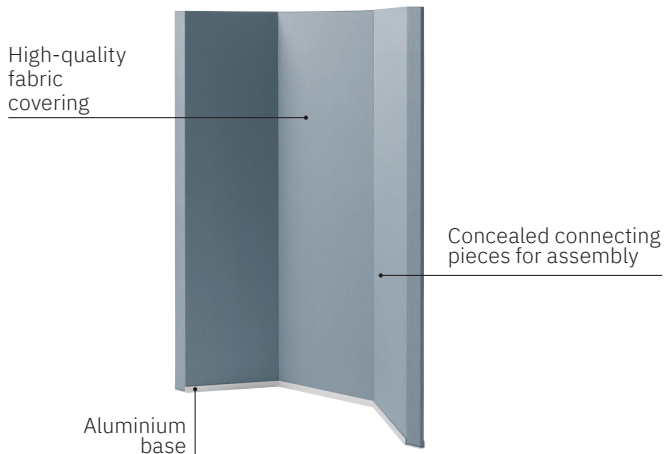
Product data sheet



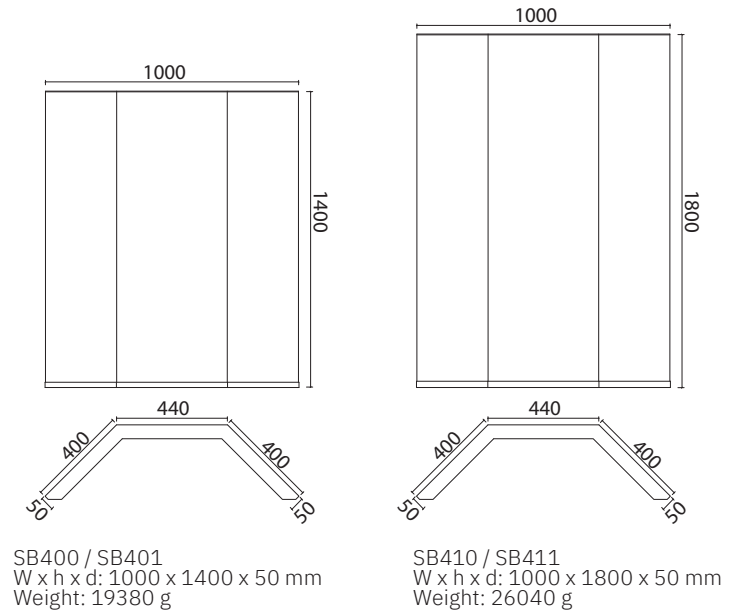
work inspired

Product description

Highly effective acoustic curve to optimize the room acoustics in open-plan offices. The inner core is made of thermal compressed polyester fibre; the product has a concealed aluminium frame, is covered with high-quality fabric and comes with a pre-mounted base made of matt anodised aluminium.



Formats and weights



Sound absorption material

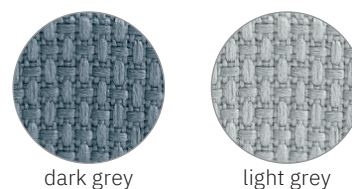
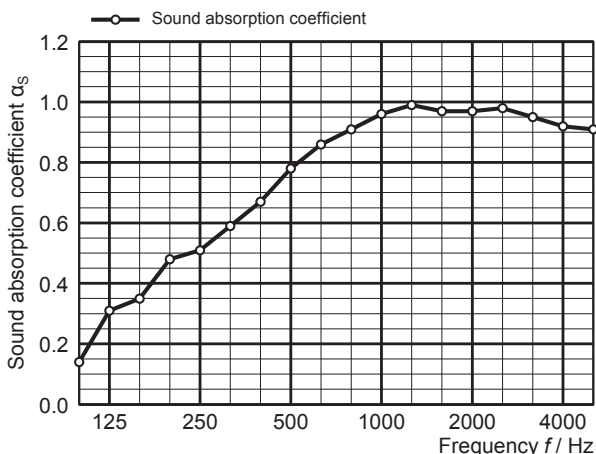
- Thermal compressed polyester fibre
- Ideal acoustic properties
- (specific flow resistance $R_s = 1240 \text{ Pa s/m}$)
- Pollutant-free as defined by the REACH regulation

Fabric quality & colours

- High-quality, synthetic polyester fibres
- Robust, abrasion-resistant and easy to clean
- Clean with a wet or dry cloth
- Pollutant-free as defined by the REACH regulation
- In 2 muted colours for modern interior design

Acoustic performance

The acoustic curves comply with sound absorption class B (rated sound absorption coefficient α_w according to DIN EN ISO 11654 = 0.80). The acoustic performance has been tested and certified by Müller-BBM, an independent institute for acoustics.



Product safety

- GS-approved product safety certified by TÜEV Sued Product Service GmbH
- TÜEV-approved product properties according to DIN EN 1023-1:1996, DIN EN 1023-2:2001, DIN EN 1023-3:2001
- High-quality, low-polluting materials, high stability

Rating according to ISO 11654: Weighted sound absorption coefficient $\alpha_w = 0.80 (H)$ Sound absorption class: B	Rating according to ASTM C423: Noise Reduction Coefficient $NRC = 0.80$ Sound Absorption Average $SAA = 0.81$
---	---

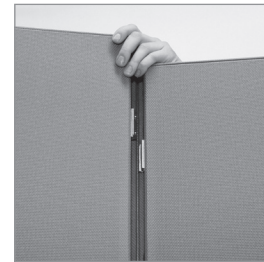


SOUND BALANCE ACOUSTIC CURVE

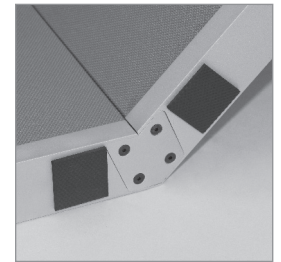
Product data sheet

Assembly

The acoustic curve is quick and easy to assemble in just two steps. First join the three side elements by sliding them into place until they interlock. Then screw the pre-mounted aluminium base into place with the enclosed connecting plates. The curve stands securely due to its special geometric trapezium shape. The base of the curve also comes with pre-mounted anti-slip pads for a secure stand and to protect the floor from scratches.



Step 1: Connect the side elements

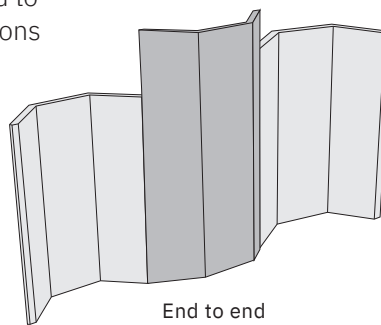


Step 2: Screw on the base

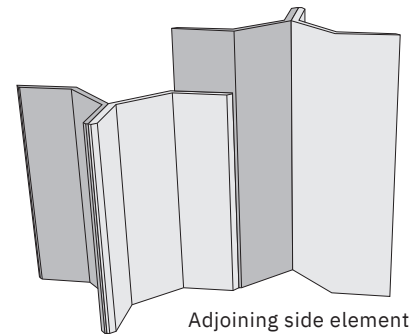
Combining elements

The formats of the acoustic curves have been carefully coordinated. This makes them ideal for combining and they can be used flexibly to create a variety of modules.

The product's unique curved design allows you to combine the various elements to create partitions that meet your requirements. You will find suggestions for different combinations at www.sigel-acoustics.com and in the mounting instructions.



End to end



Adjoining side elements

Product quality

All products in the Sound Balance range are of high quality and manufactured without visible seams. We pay the greatest attention to every detail of the manufacturing process. This means the Sound Balance products meet the highest standards of modern interior design and fulfil the SIGEL promise of top brand quality.

Fire safety

The acoustic curves are classified as normal flammable materials according to DIN 4102-1 (classification B2). Fire behaviour according to DIN EN 13501-1 is certified as Class E (normal flammable materials).

Multifunctionality



The surface of the acoustic curve can be used as a pinboard, supporting the exchange of ideas and collaborative work. We recommend SIGEL brand pins (MU 190).

Subject to changes and variations.